

GPS/GNSS Active Magnetic Mount Antenna

Part No:AC-GPS/GNSS-02

1. Introduction

This is a high performance active RHCP antenna,It features a precisely tuned custom ceramic patch antenna element and a matching network. The antenna is enclosed in a rugged, fully weatherproof housing

This antenna is designed for applications which require high positioning accuracy GPS systems. High gain wideband patch antenna on a large integral ground delivers maximum performance.



2. Specification

Electrical

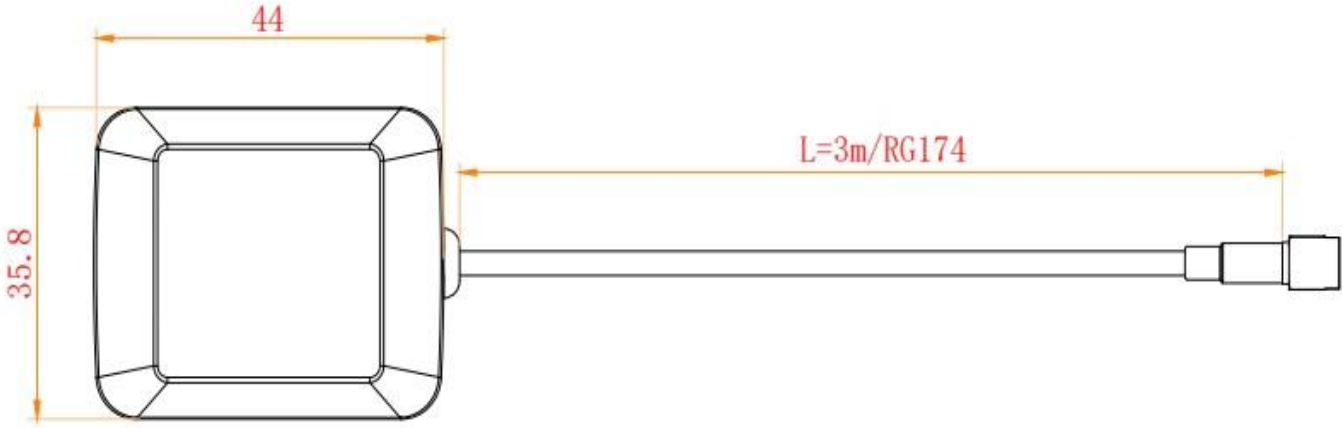
Antenna	Frequency Range	1575/1602MHz
	Band Width	CF±5MHz
	V.S.W.R	<1.5
	Polarization Type	RHCP
	Gain	2dBic(Zenith)
	Impedance	50Ω
	Axial Ratio	3dB(max)
	Dimension	25*25*4mm

LNA	Gain	28±2 dB Typical
	Noise Figure	<1.5dB
	DC Voltage	2.2-5.0V
	DC current	5-15mA
	V.S.W.R	<2.0

Mechanical	Housing	Black
	Cable	RG174
	Length	3M
	Connector	FAKRA -C
	Antenna Radome Material	ABS
	Mount way	Magnetic/Adhesive

Environmental	Dimensions	44x35x13mm
	Weight	60g
	Operating Temperature	-40℃~+80℃
	Humidity	UP to 95%
	Waterproof	IP65-67
	RoHS Compliant	YES

3.Drawing



4.V.S.W.R

